

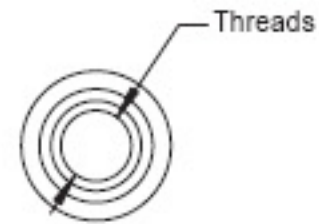
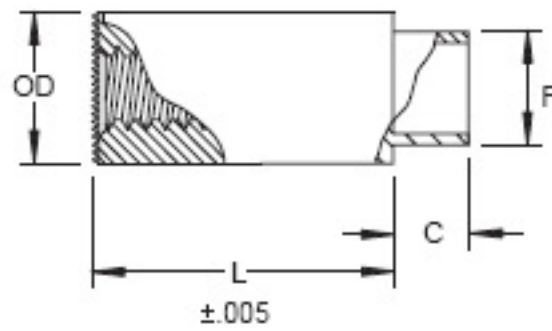
RSST - Mechanical Standoff

Round Swage Standoff - Back Grounding
Inch

Sample Part Number

RSST3/16 - 256 x .125 - A - BG - STL - Z

Series OD Thread Length Panel Knurl Material Finish
Code Code Code Code



| Thread | OD Outside Diameter | | | |
|--------|---------------------|-----|------|-----|
| | 3/16 | 1/4 | 5/16 | 3/8 |
| 2-56 | | | | |
| 4-40 | | | | |
| 6-32 | | | | |
| 8-32 | | | | |
| 10-32 | | | | |

Custom sizes available.

| Panel Thickness | C Shank Length ±.003 | Panel Code | F Shank Diameter +.003/-0.003 | Knurl Code |
|-----------------|----------------------|------------|-------------------------------|------------|
| 1/32 | .075 | A | 3/16 - .126 | BG |
| 1/16 | .105 | B | 1/4 - .185 | |
| 3/32 | .135 | C | 5/16 - .231 | |
| 1/8 | .165 | D | 3/8 - .234 | |

| L Length |
|----------|
| .125 |
| .167 |
| .250 |
| .312 |
| .375 |
| .437 |
| .500 |
| .562 |
| .625 |
| .678 |
| .750 |
| .812 |
| .875 |
| .937 |
| 1.000 |
| 1.125 |
| 1.187 |
| 1.312 |
| 1.376 |
| 1.312 |
| 1.437 |
| 1.500 |
| 1.582 |
| 1.625 |
| 1.687 |
| 1.750 |
| 1.812 |
| 1.875 |
| 1.937 |
| 2.000 |

| Material | Description |
|----------|----------------------------|
| STL | Carbon Steel |
| SS | 300 Series Stainless Steel |
| AL | Aluminum |
| BR | Brass |

| Finish | Description |
|-----------|------------------------|
| Z | Zinc - Clear Chromate |
| Z-BLK | Zinc - Black Chromate |
| Z-YEL | Zinc - Yellow Chromate |
| NI | Nickel |
| BLK-OX | Blk Oxide |
| ALOD | Alodine |
| ALOD-GOLD | Alodine Gold |
| P | Passivate |
| PLN | Plain |
| TIN | Tin (Soldering) |

Custom finishes available.

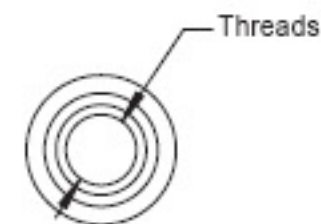
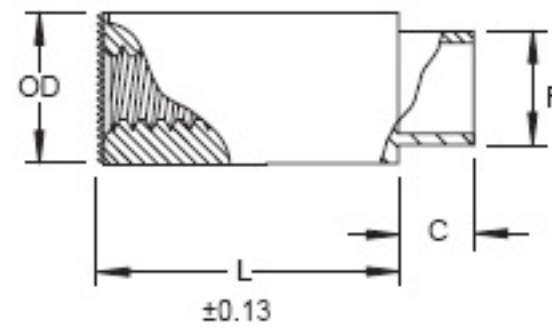
RSST - Mechanical Standoff

Round Swage Standoff - Back Grounding
Metric

Sample Part Number

RSST4.5 - M2.5 x 18 - A - BG - STL - Z

Series OD Thread Length Panel Knurl Material Finish
Code Code Code Code



| Thread | OD Outside Diameter | | | |
|-------------|---------------------|---|---|----|
| | 4.5 | 6 | 8 | 10 |
| M2.5 x 0.45 | | | | |
| M3.0 x 0.5 | | | | |
| M3.5 x 0.6 | | | | |
| M4.0 x 0.7 | | | | |
| M5.0 x 0.8 | | | | |

Custom sizes available.

| Panel Thickness | C Shank Length +.08/-0.00 | Panel Code | F Shank Diameter +.00/-0.08 | Knurl Code |
|-----------------|---------------------------|------------|-----------------------------|------------|
| .8 | 1.9 | A | 4.5 - 3.53 | BG |
| 1.6 | 2.7 | B | 6 - 4.78 | |
| 2.4 | 3.4 | C | 8 - 5.94 | |
| 3.2 | 4.2 | D | 10 - 5.94 | |

| L Length |
|----------|
| 3 |
| 4 |
| 5 |
| 6 |
| 8 |
| 10 |
| 11 |
| 12 |
| 13 |
| 14 |
| 16 |
| 19 |
| 20 |
| 22 |
| 25 |

| Material | Description |
|----------|----------------------------|
| STL | Carbon Steel |
| SS | 300 Series Stainless Steel |
| AL | Aluminum |
| BR | Brass |
| NY | Nylon |
| VO | Nylon 94 V-O |

| Finish | Description |
|-----------|------------------------|
| Z | Zinc - Clear Chromate |
| Z-BLK | Zinc - Black Chromate |
| Z-YEL | Zinc - Yellow Chromate |
| NI | Nickel |
| BLK-OX | Blk Oxide |
| ALOD | Alodine |
| ALOD-GOLD | Alodine Gold |
| P | Passivate |
| PLN | Plain |
| TIN | Tin (Soldering) |

Custom finishes available.